

SKYMASTER SK12A



IMPROVED SAFETY AND RELIABILITY, NEW TECHNOLOGY
MAKE SK12A GREAT IN VARIOUS APPLICATIONS

1

Built-in Cabin avoidance system



When the boom approaches the cabin,
it automatically stops to prevent accidental
collision and damage.

2

Jack-Boom Interlock system



This interlock mechanism prevents
accidental boom operation without
jacking up, or jack operation by mistake
while the boom is in operation.



- Max. Platform Height
12.5m
- Max. Platform Load
200kg (2persons)

Upper Control



Auto - Accelerator

The standard "Auto-accelerator" feature increases throttle only when need, reducing operational noise and increasing fuel economy

Proportional Control

Proportional controls allow for increased precision by changing the speed of boom movement in correlation with lever movement

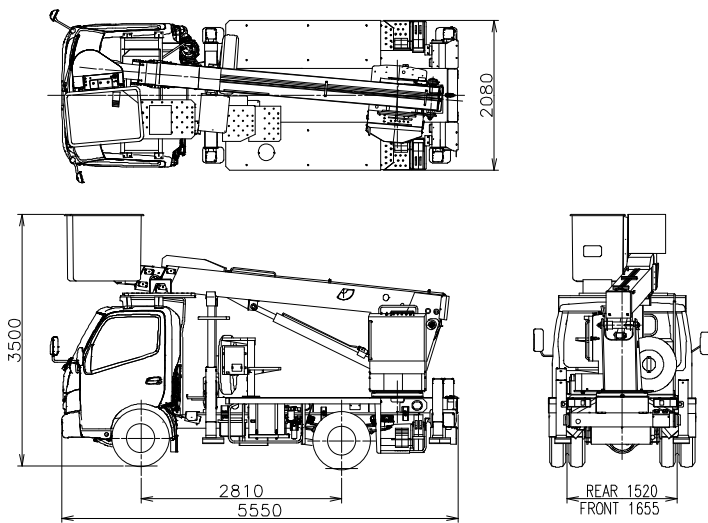
Outrigger (AMCS)



Outrigger Control

The work radius varies corresponding to each outrigger extension and the rotated position of the boom. AMCS independently detects each outrigger extension.

VEHICLE DIMENSION



SPECIFICATION

● Model Number and Model Name

Model Number	SK12A
Model Name	Aerial Work Platform

● Bucket

Load Capacity	200kg or 2 persons
Max. Bucket Floor Height	12.5m
Max. Work Radius	11.5m
Inner Dimensions	1.0m x 0.7m x 0.9m (LxWxH)
Swing Angle	Left:100, Right:100 degrees

● Boom

Type	3 stages fully telescopic
Boom Length	4.71 to 10.75 m
Telescopic Stroke	6.04 m
Boom Angle	-15 to +80 degrees
Elevation Speed	30 sec / stroke
Extension/Retraction Speed	32 / 25 sec / stroke

● Rotation Device

Rotation Angle	360 degrees (Continuous)
Rotation Speed	1.0 rpm

● Outrigger

Outrigger Width	1,710 to 3,350 mm
Outrigger Stroke	820 mm
Jack Stroke	495 mm

● Safety Device

Hydraulic safety devices (Relief valve, Pilot check valves on Jack cylinders, Holding valves on Elevation and Extension cylinders, Bucket leveling system), AMCS(AICHI Moment Control System), Built-in cabin avoidance system, Automatic speed control for boom elevation and rotation, Jack-Boom Interlock system, Emergency stop switch, Emergency pump, Self checking for malfunction

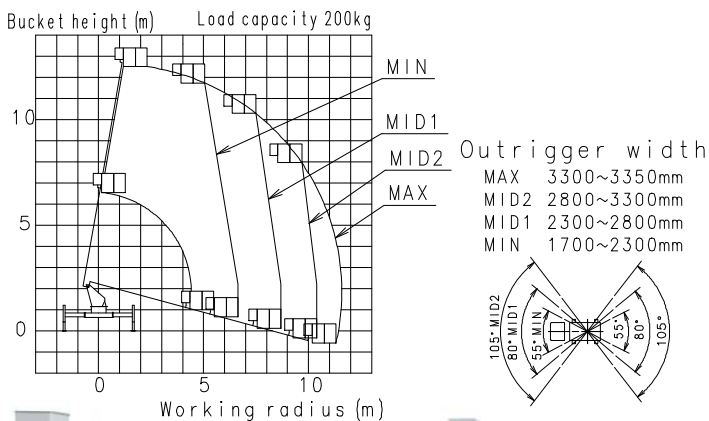
● Other Device

Automatic accelerator, Starting check-up switch, Level meter, Malfunction storage unit

● Standard Accessories

Wooden jack base, Wheel chock

WORKING RANGE DIAGRAM



- Max. Working Radius
11.5m



AICHI CORPORATION

DISTRIBUTOR

Overseas Sales & Marketing Department

1152 Ryoke Ageo Saitama 362-850 Japan

Tel: +81-48-781-1671

Fax: +81-48-781-1808

<http://www.aichi-corp.co.jp>